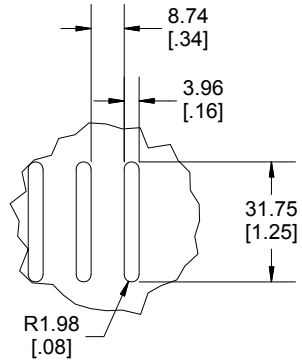
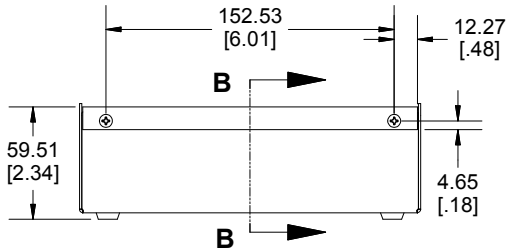


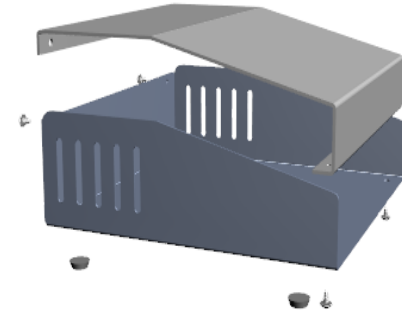
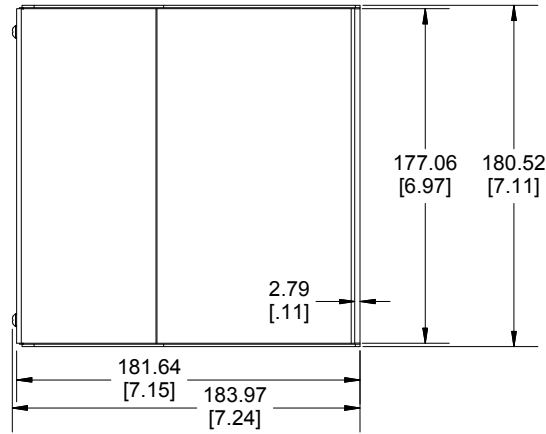
**DETAIL A
SCALE 1 / 2
END VENTS**



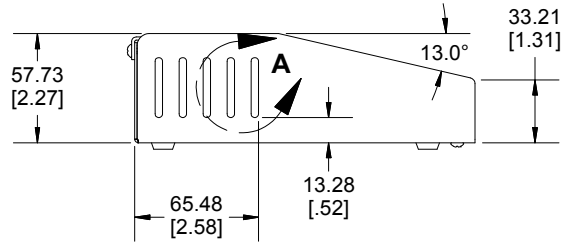
BACK VIEW OF ENCLOSURE



TOP VIEW OF ENCLOSURE



END VIEW OF ENCLOSURE



FRONT VIEW OF ENCLOSURE



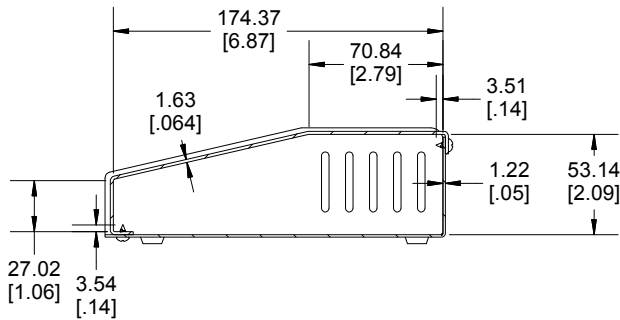
Enclosures can be Factory Modified (Milling, Drilling, Printing etc.)
Contact Factory mjm@hammondmfg.com for quotes
Solid models of this enclosure available in STEP or IGES.

NOTE

Case Includes Adhesive Rubber Feet and Required Hardware.
Enclosure Case is Made of 0.05" Steel.
Top Panel is Made of 0.064" Aluminum.

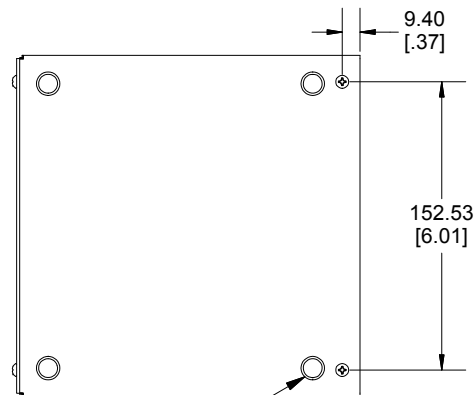
PART NUMBERS

500-0930 Enclosure	
Smooth Light Grey Top Case	500-0930
Dark Satin Grey Base Case	
ACCESSORIES	
Plated Cover Screws (Pkg 50) [#6 x 1/4 Self Tapping]	SC19482-50
Grey Self-Adhesive Rubber Feet (Pkg 4)	1421T2GY



**SECTION B-B
END OF ENCLOSURE**

BOTTOM VIEW OF ENCLOSURE



ADHESIVE RUBBER FEET

Dimensions:
mm
[inches]

**HAMMOND
MANUFACTURING™**

500-0930

www.hammondmfg.com