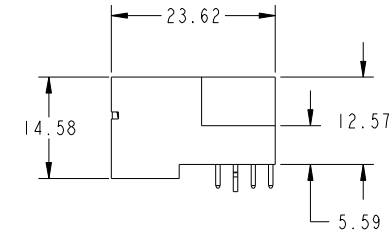
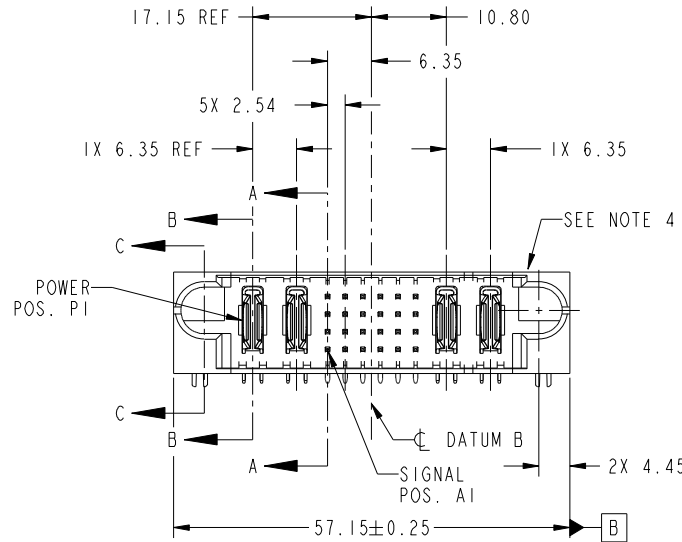


Tous droits strictement reserves. Reproduction ou communication a des tiers interdite sous quelque forme que ce soit sans autorisation écrite du propriétaire. Propriete de c FCI. Droits de reproduction FCI.

All rights strictly reserved. Reproduction or issue to third parties in any form whatever is not permitted without written authority from the proprietor. Property of FCI. Copyright FCI.



PRODUCT NO.	ROWS	POWER		SIGNAL						POWER		E2		
		E1	P1	P2	1	2	3	4	5	6	P3		P4	
51730-181... NOTE 3	D C B A	HA	PA	PA	UUUUUU	TTTTTT	SSSSSS	RRRRRR	RRRRRR	TTTTTT	UUUUUU	PA	PA	HA



CODE	DIM "M" MATING LENGTH	CONTACT TYPE
U	[6.86]	SIGNAL
T	[6.86]	SIGNAL
S	[6.86]	SIGNAL
R	[6.86]	SIGNAL
PA	[N/A]	POWER
HA	[N/A]	HOLD-DOWN
E	[5.59]	SIGNAL

mat'l code				SEE NOTE		tolerances unless otherwise specified		CUSTOMER		FCI	
ltr	ecn no.	dr	date	linear		0.X ± 0.5	COPY		www.fciconnect.com		
A	DG10-0304	JW	08/24/10			0.XX ± 0.25	projection	title			
				angles		0.XXX ± 0.1		2P + 24S + 2P			
				dr	JULIA WANG	08/20/10		product family		PwrBlade	code
				enr	JULIA WANG	08/20/10	scale	size	dwg no	213	
				chr	PM ZHENG	08/20/10	1:1	A	51730-181	sheet	
				appd	JOSEPH HSIA	08/20/10				1 of 4	
sheet index	revision sheet	A	A	A	A						
		1	2	3	4						

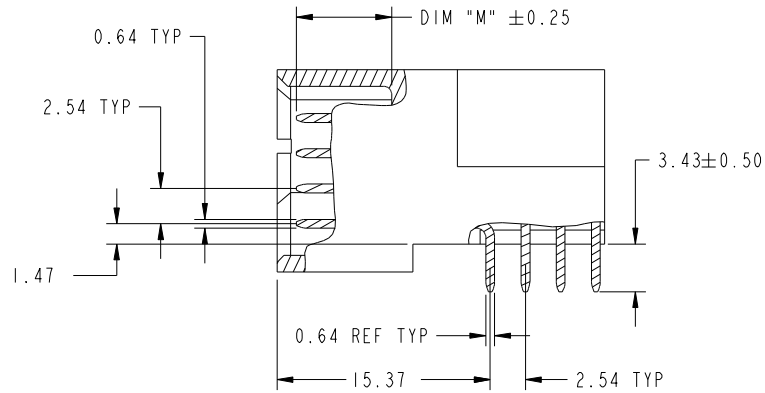
cage code 22526

Tous droits strictement reserves. Reproduction ou communication a des tiers interdite sous quelque forme que ce soit sans autorisation écrite du propriétaire. Propriete de c FCI. Droits de reproduction FCI.

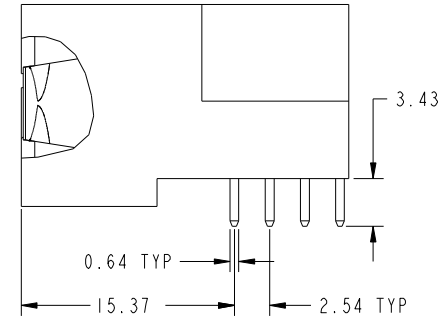
All rights strictly reserved. Reproduction or issue to third parties in any form whatever is not permitted without written authority from the proprietor. Property of FCI. Copyright FCI.



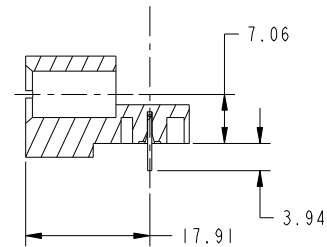
PRODUCT NUMBER
51730-181--
NOTE: 3



BROKEN-OUT SECTION A-A
SCALE 2:1



BROKEN-OUT SECTION B-B
SCALE 2:1



SECTION C-C

mat'l code				SEE NOTE	tolerances unless otherwise specified		CUSTOMER		 www.fciconnect.com	
ltr	ecn no.	dr	date	linear	0.X ±0.5	COPY		title		
A					0.XX ±0.25	projection		2P + 24S + 2P RIGHT ANGLE SOLDER HEADER		
				angles	0.XXX ±0.1			product family PwrBlade code		
				dr	0° ±2°			size		213
				enr	JULIA WANG 08/20/10	scale		dwg no		sheet
				chr	JULIA WANG 08/20/10	1:1		51730-181		2 of 4
				appd	PM ZHENG 08/20/10					
					JOSEPH HSIA 08/20/10					
sheet index		revision sheet								

cage code 22526

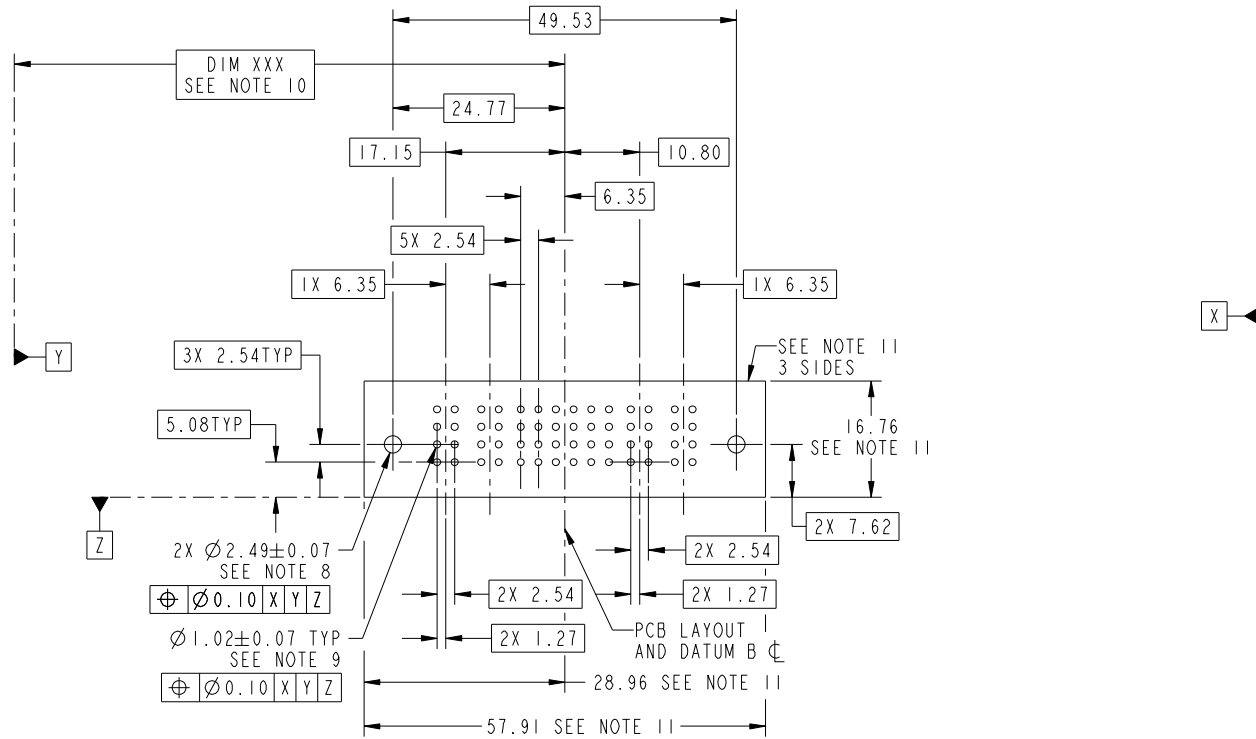
Pro/E

Tous droits strictement reserves. Reproduction ou communication a des tiers interdite sous quelque forme que ce soit sans autorisation écrite du propriétaire. Propriete de c FCI. Droits de reproduction FCI.



All rights strictly reserved. Reproduction or issue to third parties in any form whatever is not permitted without written authority from the proprietor. Property of FCI. Copyright FCI.

PRODUCT NUMBER
51730-181--
NOTE: 3



RECOMMENDED PCB LAYOUT

mat'l code		SEE NOTE		tolerances unless otherwise specified		CUSTOMER		FCI	
ltr	ecn no.	dr	date	linear	0.X ± 0.5	COPY		www.fciconnect.com	
A				linear	0.XX ± 0.25	projection		title	
				angles	0.XXX ± 0.1			2P + 24S + 2P RIGHT ANGLE SOLDER HEADER	
				dr	0° ± 2°	MIM		product family PwrBlade code	
				enr	JULIA WANG 08/20/10	scale		size	
				chr	JULIA WANG 08/20/10	1:1		dwg no	
				appd	PM ZHENG 08/20/10	A		51730-181	
					JOSEPH HSIA 08/20/10			sheet	
sheet index	revision sheet							3 of 4	

cage code 22526

Pro/E

Tous droits strictement reserves. Reproduction ou communication a des tiers interdite sous quelque forme que ce soit sans autorisation écrite du propriétaire. Propriete de c FCI. Droits de reproduction FCI.



All rights strictly reserved. Reproduction or issue to third parties in any form whatever is not permitted without written authority from the proprietor. Property of FCI. Copyright FCI.

PRODUCT NUMBER
51730-181--
NOTE: 3

NOTES:

1. DIMENSIONS AND TOLERANCES ARE IN ACCORDANCE WITH ASME Y14.5M, 1994 UNLESS OTHERWISE SPECIFIED.

CONNECTOR NOTES:

- 2. HOUSING MATERIAL: UL 94 V-0 GLASS FILLED HIGH-TEMP THERMOPLASTIC
POWER CONTACT MATERIAL: COPPER ALLOY
SIGNAL PIN MATERIAL: COPPER ALLOY
- 3. SEE ITEM 1 & 2 IN PRINT 10064183 FOR PLATING SPEC OF 51730-181 AND 51730-181LF RESPECTIVELY.
- 4. MANUFACTURER'S NAME, DATE CODE AND OPTIONAL P/N TO APPEAR ON THIS SURFACE. THE P/N CAN BE OMITTED IF THERE IS NOT ENOUGH SPACE ON THIS SURFACE.
- 5. PRODUCT SPECIFICATION GS-12-149.
APPLICATION SPECIFICATION BUS-20-067.
- 6. PACKAGED IN TRAYS.

PCB NOTES:

- 7. ALL HOLE DIAMETERS ARE FINISHED HOLE SIZE.
- 8. MOUNTING HOLES, WHERE APPLICABLE, ARE UNPLATED.
- 9. $\varnothing 1.151 \pm 0.025$ DRILLED HOLES PLATED WITH
0.008 MIN SnPb OR Sn OVER 0.03
TO 0.08 Cu PLATING TO ACHIEVE
 $\varnothing 1.02 \pm 0.07$ HOLE.
- 10. "DIM XXX" TO BE DETERMINED BY THE CUSTOMER.
- 11. CONNECTOR KEEP-OUT ZONE.

mat'l code				SEE NOTE	tolerances unless otherwise specified		CUSTOMER		
ltr	ecn no.	dr	date	linear	0.X ± 0.5		COPY		www.fciconnect.com
A					0.XX ± 0.25		projection		
					0.XXX ± 0.1				
				angles	0° + 2°				product family PwrBlade
					dr	JULIA WANG	08/20/10	code 213	
				enr	JULIA WANG	08/20/10	size dwg no		sheet 4 of 4
				chr	PM ZHENG	08/20/10	scale 1:1		
				appd	JOSEPH HSIA	08/20/10	A 51730-181		
sheet index	revision sheet								

cage code 22526

Pro/E